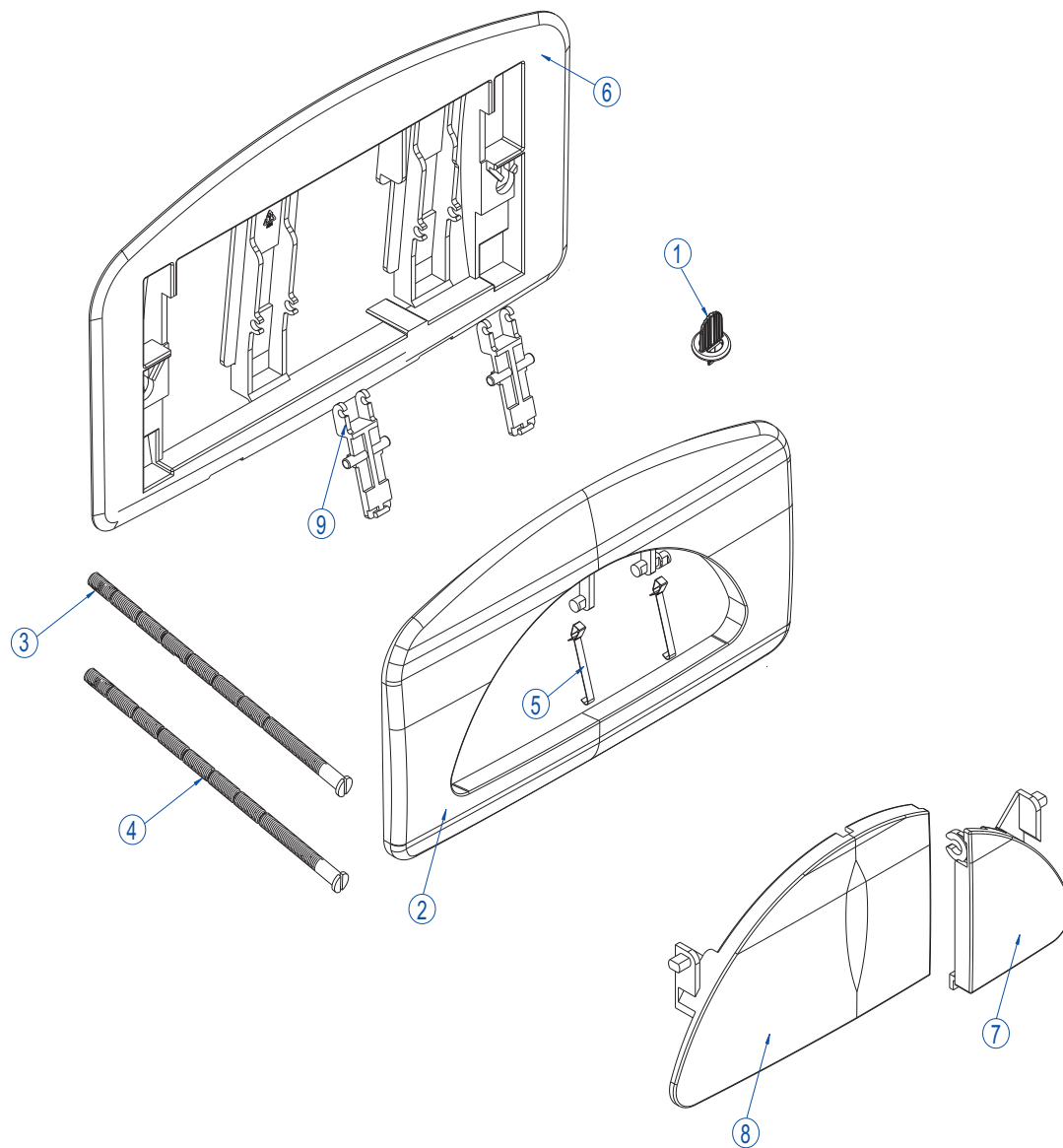


## TROUBLESHOOTING - Tank Diamante Dual Flush

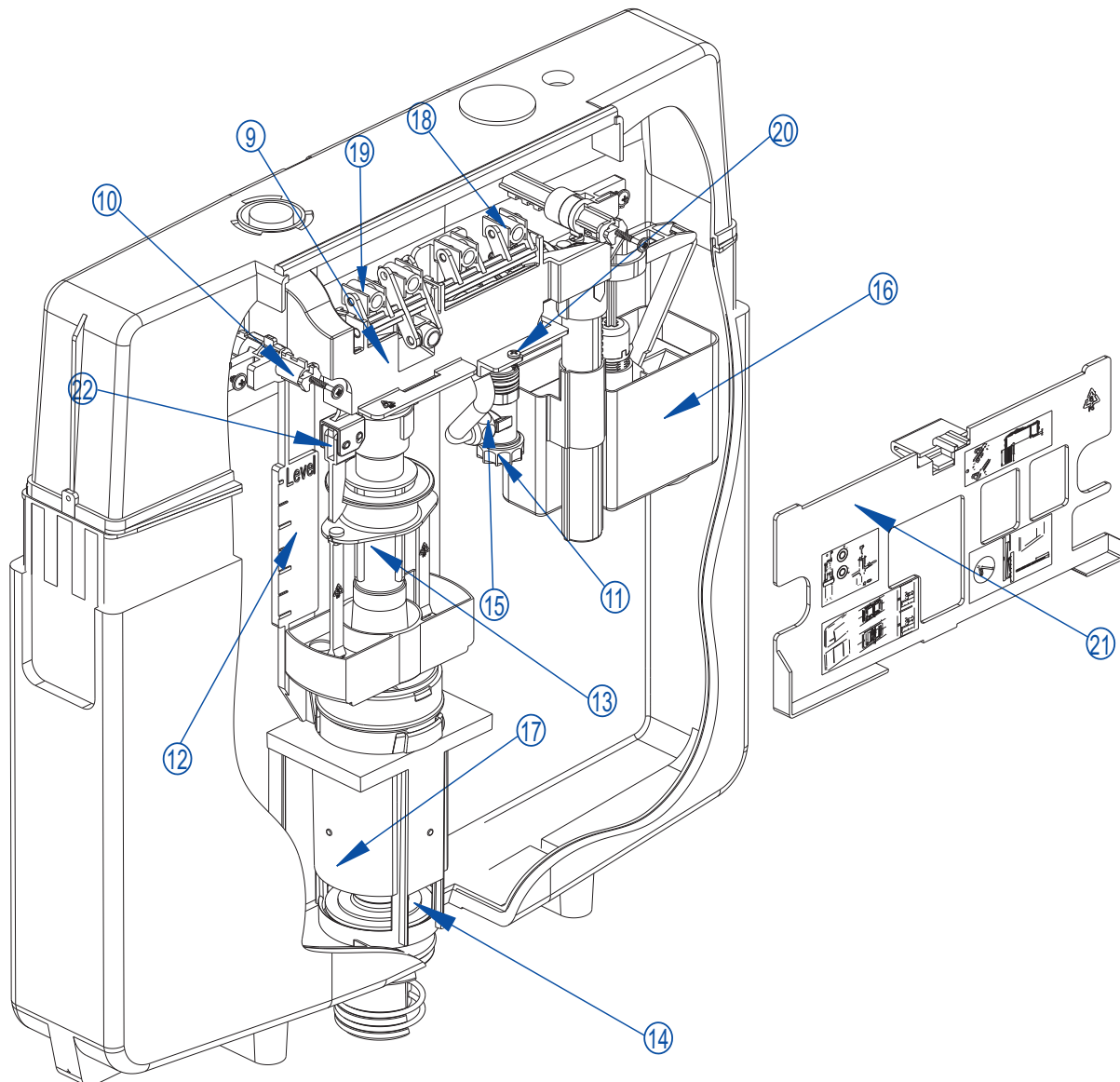
### Push-plate Diamante Dual Flush



- 1 Template
- 2 Pushplate
- 3 White screw f/ complete flush
- 4 Green screw f/ half flush
- 5 Spring
- 6 Counter plate
- 7 Push button half flush
- 8 Push button complete flush
- 9 Lever

## TROUBLESHOOTING - Tank Diamante Dual Flush

### Tank Diamante Dual Flush

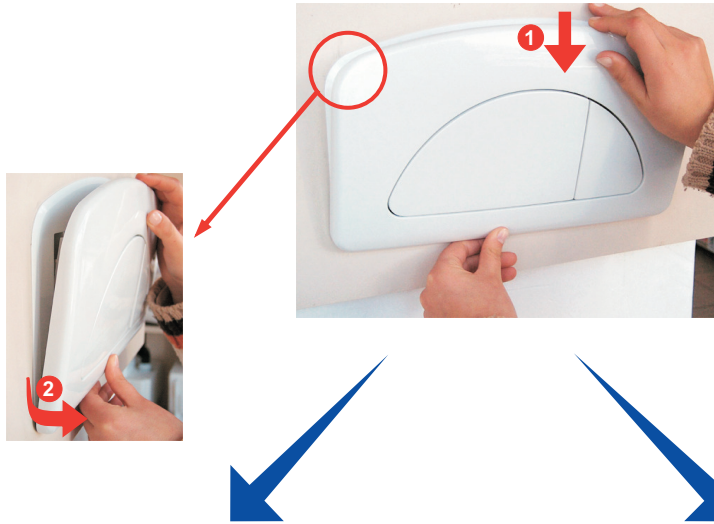


- 10 Extension screw
- 11 Stopcock
- 12 Gouge rod
- 13 Flush valve
- 14 Seal f/ valve
- 15 Connection nut inlet valve
- 16 Inlet valve
- 17 Guide f/ inlet valve
- 18 Green nut
- 19 Lever block
- 20 Screw 60168
- 21 Protection plate
- 22 Anchors set

## TROUBLESHOOTING - Tank Diamante Dual Flush

### Leak of water in the in the bowl

#### 1st step - Take the push-plate out

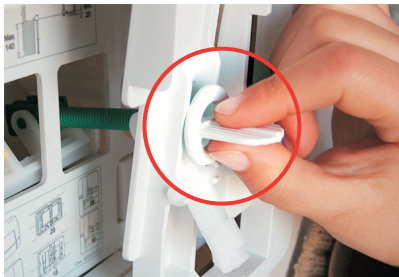


- Take the push plate out following the movement of the arrows in the picture.
- Take the lever (9) out.

The leak as stopped

The leak as not stopped

#### 2nd step - Adjustment of the screw



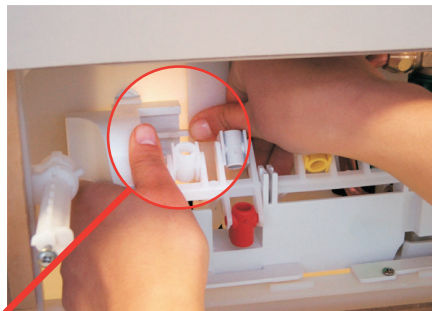
-Fasten the white (3) and the green (4) screw with the template (1) until the latter touches the counterplate

-The system is adjusted when the template doesn't allow the screws to turn.

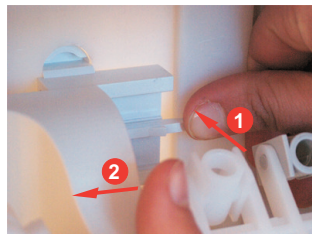
#### 3rd step - Check the water level

- Take out the counter plate and the protection plate (21)

- Take out the lever block (9) according to the following steps



- Let the extension screws (10) move free and extend it to the maximum length .
- Press the holder that fixes the lever block to remove it.



See next page

## TROUBLESHOOTING - Tank Diamante Dual Flush

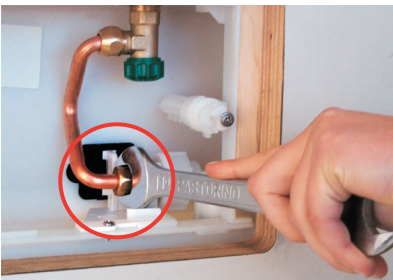
Leak of water in the in the bowl

Se if the level coincides with the signal "level" in the water scale(12)

It does not coincide

- Take the flush valve out (see 4th step)

5th step - Take the Inlet Valve out



- Unscrew the nut that connects the brass pipe to the inlet valve and remove it so that you can take the inlet valve out

- Remove the hook and the inlet valve



- Unscrew the inlet valve nut and see if there is dirt that prevents that the inlet valve closes.

-There is dirt

- Clean the inlet valve



- There is not dirt

- Replace the inlet valve

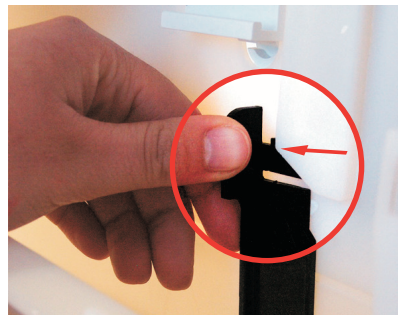
-It does not works

- Replace the inlet valve

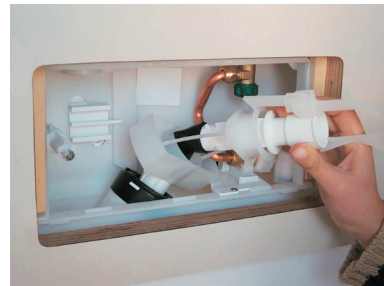
It does coincide

4th - Take the flush valve out

- Close the stopcock(11).



- Remove the Gouger rod (12).



- Take the flush valve out (13).



- Replace the rubber seal(14).

➡ See to next page

## TROUBLESHOOTING - Tank Diamante Dual Flush

Leak of water in the in the bowl

Install the flush valve and the Gouge Rod again in the cistern



It does not works

-Take the flush valve and gouge rod out again.



- take the guide f/ the flush valve out(17) .



-Check if the sealing area in the guide f/flush valve (signaled in the picture with a red line) has imperfections, cavities or edges.

It has imperfections

-Replace the guide f/ flush valve

It has no imperfections

-Replace the flush valve

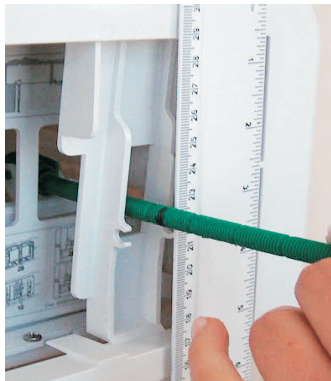
## TROUBLESHOOTING - Tank Diamante Dual Flush

### Insufficient Flushing

- Take the push plate out (see 1st step)



6th step- Screw cutting



- Remove the green(4) and white(3) screws  
-place the screw heads on the nuts with the respective colour and with the help of a ruler mark the screws on face of the counterplate.



It does not work



- Check if is the screws adjustment  
(see 2nd step)



It does not work



- Check the water level  
(See 3rd step)



It does not work



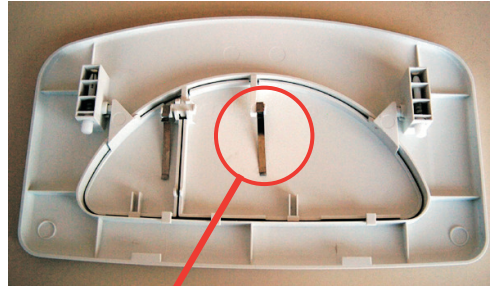
-Replace the flush valve



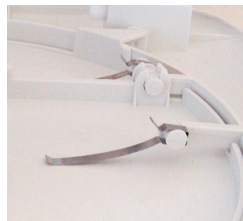
## TROUBLESHOOTING - Tank Diamante Dual Flush

The pushbutton is not aligned with the pushplate surface

- Take the push-plate out (see 1st step)



- Check if the springs are mounted and /or correctly mounted.



## TROUBLESHOOTING - Tank Diamante Dual Flush

### Reverse Flushing

